



# Series 685S Multiswitch

## 685S Multiswitch Liquid Level Indicator for Atmospheric Vessels

### Application

The Model 685S Multiswitch is a liquid head pressure type control, which continuously indicates the liquid level and supplies on and off signal as adjusted. Each switch may be set at different set points to control a separate device, such as an auxiliary or motor control relay, alarms, etc.

### Features

- Easy to read: Scale reads the same as a hand tank gauge, making it unnecessary to convert psig of head pressure into feet and inches of liquid to get the correct reading.
- Special Scales: Gallons, Pounds, Percent, etc. is available.
- Long Life: All bearings are Teflon<sup>®</sup>, Delrin<sup>®</sup> or Moly Disulphide baked on Dry Film Lubricated Stainless Steel.
- Weather Proof and Explosion Proof Housing.

### Operation

Liquid head pressure against a flexible elastomer diaphragm is transmitted directly to a leaf spring, which has a fixed pivot point at the upper end and an adjustable fulcrum point in the mid region of the leaf spring. For example, because 8' of heavy liquid exerts more pressure on the diaphragm than 8' of lighter liquid, the spring can be "stiffened" by moving the fulcrum down by the gravity adjustment knob (red), so the unit will still read 8'. The zero knob (green) moves the entire spring assembly and pointer, having the same effect as shifting the scale. The movement of the pointer rotates a linkage connected to a shaft extending into the explosion proof housing where the switches are located. The shaft drives a gear, which is connected to cams that actuate each switch individually.

### Installation

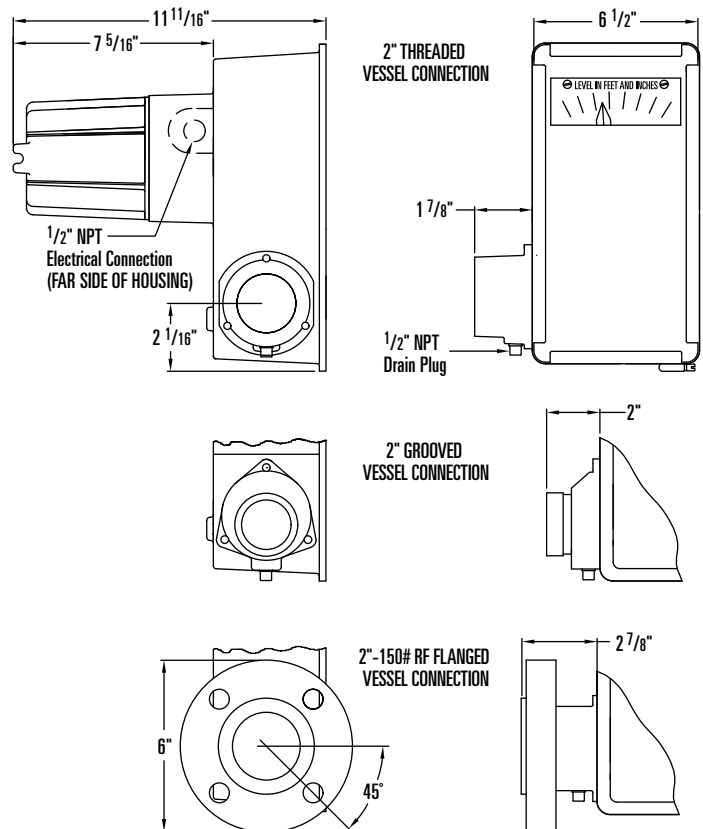
Since the unit measures liquid head pressure, the point at which it is installed on the vessel is the point that liquid measurement begins. For calibration and maintenance purposes always install an isolation valve between the Model 685 and the vessel. Also, install a drain petcock in the liquid inlet bottom, where a plug is generally located.

### Specifications

Explosion Proof: CSA Approved: . . . . . Class I, Group C & D  
 Class II, Groups E, F and G hazardous locations.  
 Temperature . . . . . -20°F to +225°F Standard  
 Pressure . . . . . 0 to 4 ounces pressure (Atmospheric)  
 Range (Vessel Height) . . . . . 3' thru 60' (see 685 code sheet).  
 Electrical Switches . . . . . SPDT Micro Switch  
 11 Amp @ 130 or 250 VAC, 1/2 Amp @ 125 VDC  
 1/4 Amp @ 250 VDC, 4 Amp @ 125 VAC Induction  
 Electrical Connections . . . . . 1/2" Female Pipe Thread,  
 3/4" Female Pipe Thread (Optional)

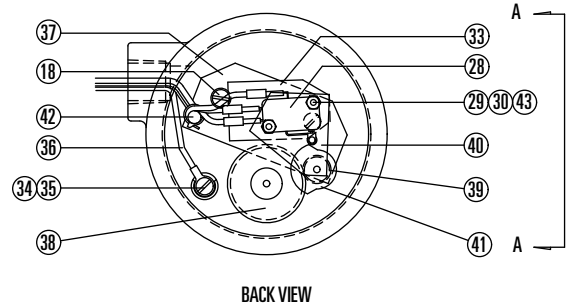
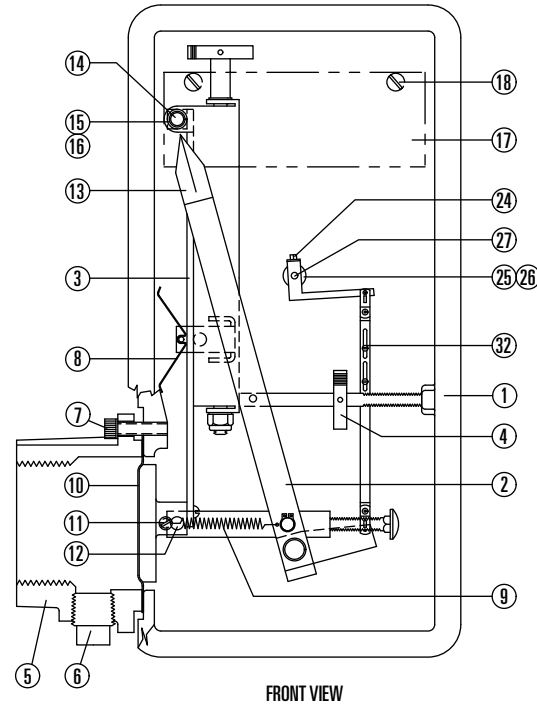


### Dimensional Data



**685S Multiswitch Liquid Level Indicator for Atmospheric Vessels**  
**Parts List**

Item	Description	Qty.	Part No.
1	HOUSING, ALUMINUM	1	000153-M
2	POINTER ASSEMBLY	1	000072-A
3	MAIN SPRING ASSEMBLY, STD.	1	000053-A
	MAIN SPRING ASSEMBLY, THIN	1	000054-A
	MAIN SPRING ASSEMBLY, DOUBLE	1	000055-A
4	ZERO KNOB, SHAFT & PIN	1	000010-A
5	ADAPTER	1	SEE CHART
6	PIPE PLUG, STEEL PLATED	1	002300-C
	PIPE PLUG, 304 S.S.	1	002304-P
	PIPE PLUG, 316 S.S.	1	002307-P
	PIPE PLUG, PVC	1	002301-P
7	SCREW, STEEL PLATED	3	001508-P
	SCREW, 2"NPT PVC ADAPTER ONLY	3	001542-P
	SCREW, 2"-150RF PVC ONLY	3	001553-P
8	ZERO SPRING, STAINLESS STEEL	1	003102-P
9	WEAR SPRING, STAINLESS STEEL	1	003103-P
10**	DIAPHRAGM, BUNA-N	1	000700-P
	DIAPHRAGM, VITON®	1	000713-P
	DIAPHRAGM, COMPOUND W	1	000720-P
	DIAPHRAGM, TEFLON®	1	000703-P
11	SCREW, 18-8 STAINLESS STEEL	1	001507-P
12	FOLLOWER BEARING, STAINLESS STEEL	1	003909-L
13	POINT DECAL	1	005900-P
14	SPRING BEARING, STAINLESS STEEL	1	000009-A
15	WASHER, TEFLON®	1	001807-P
16	RETAINER O-RING, NEOPRENE	1	003602-P
17***	SCALE, ALUMINUM	1	0030xx-P
18	SCREW, 18-8 STAINLESS STEEL	5	001504-P
19*	TAG, ALUMINUM	1	005908-B
20*	BEZEL FRAME, STAINLESS STEEL	1	000023-P
21*	BEZEL SEAL	1	003400-P
22*	WINDOW, ACRYLIC	1	000204-S
23*	WASHER, PVC ADAPTER ONLY	1	001809-P
24	LINKAGE ARM, STAINLESS STEEL	1	000511-P
25	WASHER, TEFLON®	4	001803-P
26	BUSHING, STAINLESS STEEL	1	002701-M
27	DRIVER SHAFT	1	002803-M
28	MICRO SWITCH	AR	000611-P
29	SHAFT, ALL THREAD, S.S.	2	002808-M
30	HEX NUT	2	001100-P
31*	COVER, ALUMINUM	1	000200-M
32	LINKAGE, STAINLESS STEEL	1	004400-P
33	INSULATOR, FIBER	AR	001216-P
34	GROUND SCREW, STAINLESS STEEL	1	001504-G
35	GROUND CUP, BRASS	1	001800-P
36	GROUND WIRE	1	000087-A
37	MOUNTING PLATE, ALUMINUM	1	001605-M
38	GEAR, 1 1/2" DIA., PLASTIC	1	004301-P
39	GEAR, 1/2" DIA., PLASTIC	1	004302-P
40	TOP PLATE, ALUMINUM	1	001613-P
41	CAM ASSEMBLY, ALUMINUM	AR	000016-A
42	WIRE SUPPORT, ALUMINUM	1	001704-M
43	LOCK WASHER, STAINLESS STEEL	2	001801-P
44	ACTUATOR SHAFT, STAINLESS STEEL	1	002811-M
45	SPACER BLOCK, ALUMINUM	AR	005400-M
46	WIRE, BLACK, BLUE AND RED	AR	000086-A

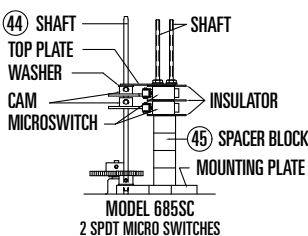


**Item #5 Part Number**

Vessel Connection	Cad. Plated	Epoxy Coated	Teflon® Coated
2" NPT, D.I.	000307-C	000307-E	000307-T
2" NPT, 316 S.S.	000317-M*	000317-E	000317-T
2"-150RF, STEEL	000335-C	000335-E	000336-T
2"-150RF, 304 S.S.	000338-M*	000338-E	N/A
2"-150RF, 316 S.S.	000341-M*	000341-E	000341-T
3"-150RF, STEEL	000345-C	000345-E	N/A
2" GROOVE, D.I.	000302-C	000303-E	000302-T
2" NPT, PVC	000343-M*	N/A	N/A
2"-150RF, PVC	000342-M*	N/A	N/A

\*Not shown. \*\*Recommended spare parts. Other materials available.  
\*\*\*Specify tank height when ordering.

\*Plating not required.



MODEL 685 MULTISWITCH • BACK VIEW • VIEW A-A

