

Meter Leveling Saddles

Application

The Meter Level Saddle is an accepted means to support chart recorders on meter runs or as an economical means to support pipe runs.

Features

- Rugged Ductile Iron Construction
- Standard 2" NPT Meter Mount: Fits all Sizes
- Multiple Pipe Sizes: 2", 3", 4", 6" & 8"

Specifications

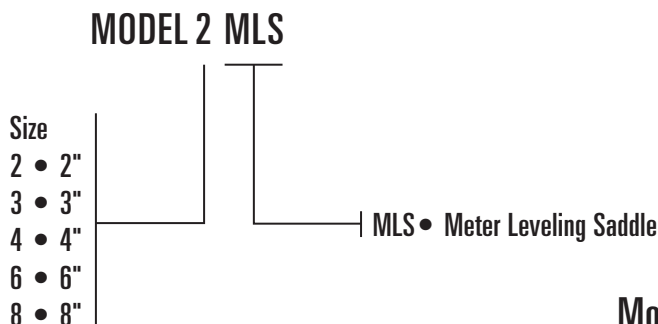
Size 2", 3", 4", 6" and 8"

Materials

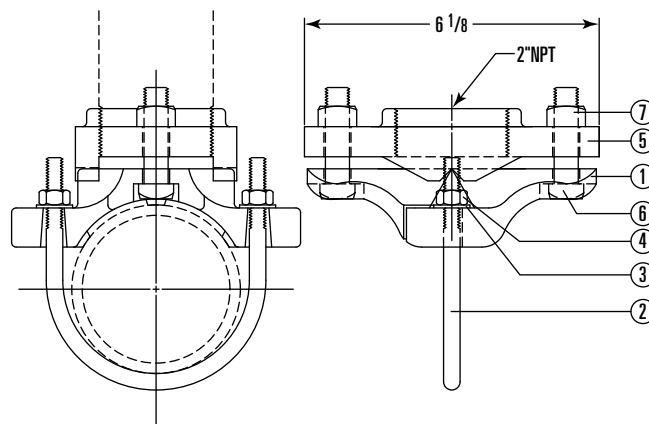
Saddle Ductile Iron
Mount Ductile Iron
U-Bolt A307 GR. B

Determining the Model Number

Example given: Standard Model 2MLS – Series MLS, 2" Leveling Saddle



Dimensional Data



Model and Part No.

Model	Part No.
2MLS	03000-2687
3MLS	03000-2695
4MLS	03000-2703
6MLS	03000-2711
8MLS	03000-2729

Parts List

Item	Description	Qty.	Part No.				
			2"	3"	4"	6"	8"
1	SADDLE, DUCT. IRON	1	01008-1404	01008-1412	01008-1420	01008-1438	01008-0323
2	U-BOLT, A-307 GR.B	1	05010-4967	01008-1461	01008-1479	01008-1487	01008-1495
3	WASHER, STEEL	2	06000-0718				
4	HEX NUT, A-307 GR.B	2	05000-2104				
5	METER MOUNT, DUCT.IRON	1	05010-0544				
6	SQ. BOLT, A-307 GR.B	2	05000-2211				
7	NUT, A-307 GR.B	2	05000-1999				

Fuel Gas Shut-Off Valve

Application

The Fuel Gas Shut-Off Valve is for use in fuel gas scrubbers on gas production units, indirect line heaters, heater treaters, etc.

Operation

The float buoyancy lifts an elastomer plug to shut off gas flow to burner when the liquid level reaches a predetermined height.

Specifications

Connections 2" x 1" Std.
(others available)

Working Pressure 250 psi

Materials

Body Forged Steel

Float 2 x 12 S.S.
(others available)

How To Order

Example Given: FGSV212FS

Description	Type/Size	Code
FUEL GAS SHUT-OFF VALVE		FGSV
FLOAT	2" X 12"	212
BODY	FORGED STEEL	FS
FOR VARIATIONS		SPECIFY



In-Service Test Tool

Application

An in-line device installed between a safety relief valve and a pressure vessel for in-field testing of pressure settings and/or seat leakage.

Operation

A hydraulic pump or Nitrogen bottle, with a flexible hose, gauges, and needle valves can be attached to the connector nipple, and the relief valve can be tested to determine if the set pressure is correct without taking the line out of service, or removing the valve from the line.

CAUTION: Never use Oxygen.

Specifications

Connections 2" x 2" NPT
1 1/2" x 1 1/2" NPT, 1" x 1" NPT

Materials

Body Carbon or Stainless Steel (Specify)

Seat Durable Plastic

Ball Stainless

Connector Nipple Stainless



How To Order

Example Given: ITT-2C

Description	Code
IN-SERVICE TEST TOOL	ITT
Process Connection	Code
2" NPT	2
1 1/2" NPT	15
1" NPT	1
Body Material	Code
CARBON STEEL	C
STAINLESS	S

Probe and Plug Pressure Provers

Application

For fast, on-location, pressure checks. Use on wellheads, on flow lines and on pressure vessels, or wherever repetitive pressure readings are taken.

Features

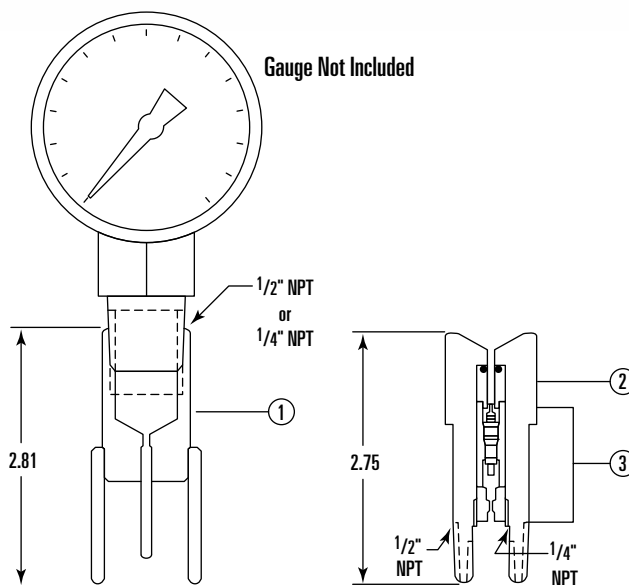
- Stainless Steel Materials
- Eliminates the Requirement of Multiple, On Site, Expensive Gauges
- Field Repairable Plug Repair Kit
- No Special Tools Required for Repair
- 5000 psi Working Pressure

How To Order

Pressure Prover	Part No.	Model No.
PLUG ASSEMBLY	30317	M50F25SS
PROBE ASSEMBLY (1/2")	30316	F50SS
PROBE ASSEMBLY (1/4")	30332	F25SS

Parts List

Item	Description	Part No.
1	PROBE (COMPLETE)	30316
2	PLUG BODY	20582
3	PLUG REPAIR KIT	30318



LevelGlas

Application

For use with in-line level control connections in order to show visual liquid level over a small area, or wherever small area visual sight of liquid is required.

Specifications

Temperature 180°F Maximum
 Working Pressure 3000 psi Maximum @100°F
 Process Connection 2" NPT Screwed

Materials

Body Stainless Steel
 Lens Lexan®
 O-Ring Buna-N



How To Order

Example Given: LG2TL

Description	Code
SERIES "LEVELGLAS"	LG
Process Connection	Code
2" NPT SCREWED	2T

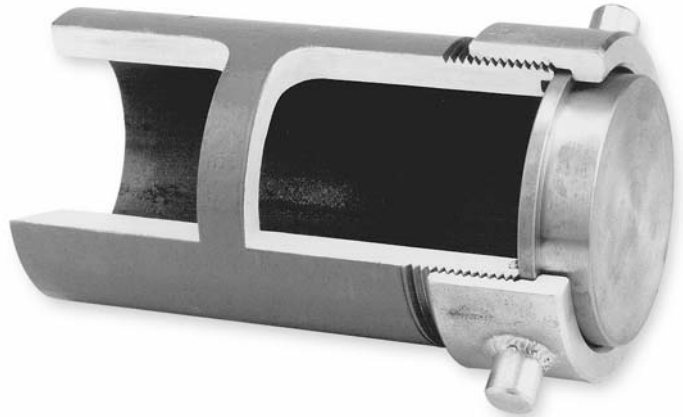
Blind Flange Assemblies (Closures) and Weld Necks

Weld Necks or Nozzles

These are offered in 3", 4", 5", 6" and 8" pipe sizes, screwed by weld end. Standard material is SA106 Gr. B Pipe.

Blind Flange Assemblies (Closures)

A blank process body, hammer union and a weld neck makes an excellent blind flange. This permits easy field installation of a second control on vessels having two or more nozzle openings but initially shipped with only one control.



Blind Flange Assemblies

Standard Straight Pipe Threaded (NPSL)

Size x Lg.	Pipe Schedule	Pipe O.D.	Wall Thickness	W.P. (psi)	Wt. (Lb.)	Part No.
3" X 5"	SCH. 160	3.500	.438	1500	10	03000-2935
3" X 8"	SCH. 160	3.500	.438	1500	13	03000-2943
4" X 5"	SCH. 160	4.500	.531	1500	17	03000-2950
4" X 8"	SCH. 160	4.500	.531	1500	22	03000-2968
5" X 5"	XX STRONG	5.562	.750	1500	28	03000-2976
5" X 8"	XX STRONG	5.562	.750	1500	37	03000-2984
6" X 5"	SCH. 160	6.625	.719	1500	38	03000-3008
6" X 8"	SCH. 160	6.625	.719	1500	49	03000-3016
8" X 5"	SCH. 100	8.625	.594	1500	64	03000-5904
8" X 8"	SCH. 100	8.625	.594	1500	72	03000-3065

ACME Threaded

Size x Lg.	Pipe Schedule	Pipe O.D.	Wall Thickness	W.P. (psi)	Wt. (Lb.)	Part No.
4" X 5"	SCH. 160	4.500	.531	1500	17	03000-8135
4" X 8"	SCH. 160	4.500	.531	1500	22	03000-8143
5" X 6"	XX STRONG	5.562	.750	1500	31	03000-7895
5" X 8"	XX STRONG	5.562	.750	1500	37	03000-8168
8" X 5"	SCH. 100	8.625	.594	1500	64	03000-9200

Weld Necks (W.P. 1500 psi)

Standard Straight Pipe Threaded (NPSL)

Size x Lg.	Pipe Schedule	Wt. (Lb.)	Part No.
3" X 5"	SCH. 160	7	05011-2200
3" X 8"	SCH. 160	10	30074
4" X 5"	SCH. 160	10	05011-5468
4" X 8"	SCH. 160	15	05010-1799
5" X 5"	XX STRONG	13	05011-2218
5" X 8"	XX STRONG	22	30220
6" X 5"	SCH. 160	19	05010-2383
6" X 8"	SCH. 160	30	05011-2226
8" X 5"	SCH. 100	21	05010-8893
8" X 8"	SCH. 100	34	05011-3745

ACME Threaded

Size x Lg.	Pipe Schedule	Wt. (Lb.)	Part No.
4" X 5"	SCH. 160	10	05013-0216
4" X 8"	SCH. 160	15	05012-3694
5" X 6"	XX STRONG	17	05012-9470
5" X 8"	XX STRONG	22	05013-0232

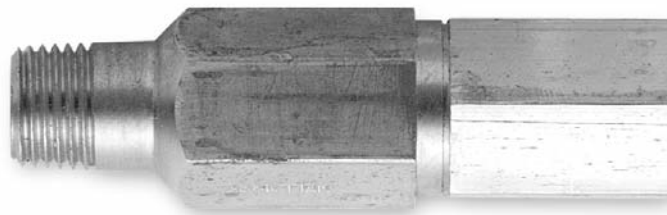
WTA In-Line Check Valve

Application

The WellMark In-Line Check Valve is for liquid, air, gas, vapor or steam service. It is also suitable for injection lines, such as chemical and lubrication. The standard spring opens with 10 psi flow pressure.

Features

- Choice of Body Material: 316 S.S. or 360 Brass
- Viton® O-Ring, Std. (EPR included separately for methanol service.)
- 316 S.S. Spring and Ball, Std.
- 1/2" Connection Size Available



Parts List

Item	Description	Qty.	Part No.
1	OUTLET BODY, 316 S.S.	1	20615
	OUTLET BODY, 360 BRASS	1	20613
2	SPRING, 316 S.S.	1	10606
3	BALL, 316 S.S.	1	10605
4	O-RING, VITON®	1	10608
5	INLET BODY, 316 S.S.	1	20614
	INLET BODY, 360 BRASS	1	20612

How To Order

Model	Connection	W.P.	Material
WTA-676	1/4" NPT FXM	3000# MAX.	360 BRASS
WTA-675	1/4" NPT FXM	6000# MAX.	316 S.S.

Dimensional Data

