

W1200 DVO Low-Bleed Pneumatic Liquid Level Control

Application

The Model W1200 DVO Pneumatic Level Control is float-activated to operate dump valves and similar devices. It is snap-acting, primarily designed for gas compressor scrubber level applications. Control may also be used anywhere level switching of a non-pressurized vessel is required. Low level switch design may be used for fuel, lube oil, hydraulic oil, etc. NACE MR0175 is standard for wetted process components. Models are available in all Stainless Steel. These level controls have screw in connections for direct installation or an optional external float chamber is available.

Features

- NACE MR0175 Process Standard
- Designed for Harsh Gas Compressor Scrubber Applications
- FloatLite Float Operates in 0.5 Specific Gravity and Heavier Fluids
- Rated for 2000 psi Working Pressure
- Improved Design Provides Better Snap Action and Dependability With Reduced Number of Moving Parts
- All Models Screw Directly into the Vessel or can be Mounted Via External Float Chamber
- Nickel Plated Body to Provide Enhanced Corrosion Protection
- Push-button Dump Valve Override Standard

Specifications

Max. Working Pressure

FloatLite Float	2000 psi
304 Stainless Steel Float	1500 psi

Temperature Rating -20°F to 300°F (400°F Available)

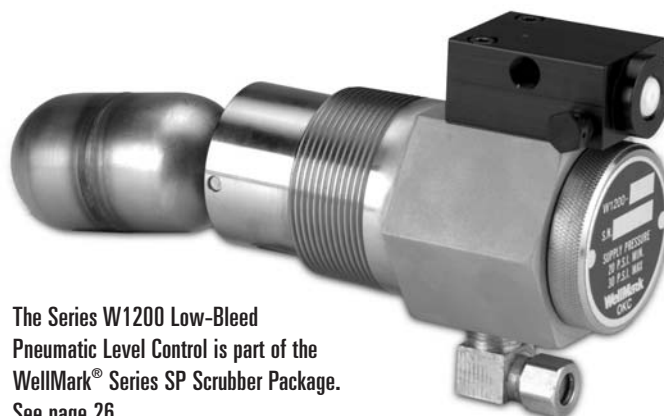
Specific Gravity

FloatLite Float	0.5
304 Stainless Steel Float	0.65

Process Connection 2" NPT

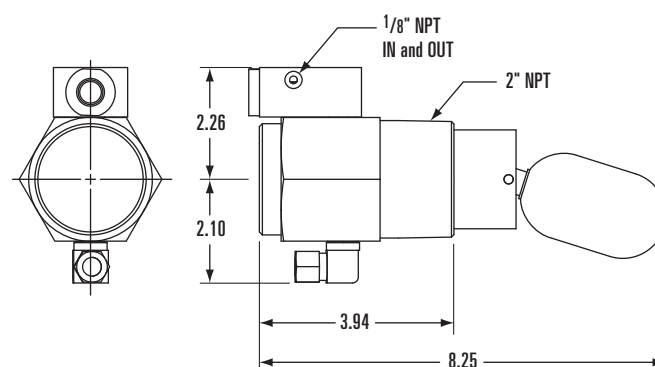
DVO Valve 3-Way N.C. with Manual Override

Connections 1/8" NPT (Min. 30 psig Required)



The Series W1200 Low-Bleed Pneumatic Level Control is part of the WellMark® Series SP Scrubber Package. See page 26

Dimensional Data



Materials

Body	Electroless Nickel Plated Steel Std. (S.S. Available)
Float	S.S. Std. (FloatLite Available)
O-Rings	Viton®

W1200 DVO Low-Bleed Pneumatic Liquid Level Control

Determining the Model Number

Example given: Standard Model W1200 DVO-*—Series W1200 DVO Pneumatic Level Control with Manual Override.

MODEL W1200 DVO - *

- R • Airset Regulator
- SS • S.S. Body
- FL • FloatLite (.5 SG)
- H • Hi-Temp (400°F)
- EC • External Cage
- E** • Float Arm Extension

Options

Notes: *For options, add code to end of Model Number.
**Add length of extension behind code (E).
For example, the code for a 3" Extension would be "E3".

Wellmark Series SP Scrubber Package includes 790, W1200 DVOR, WDV and optional W2600 Safety Relief Valve.

MODEL SP 1 *

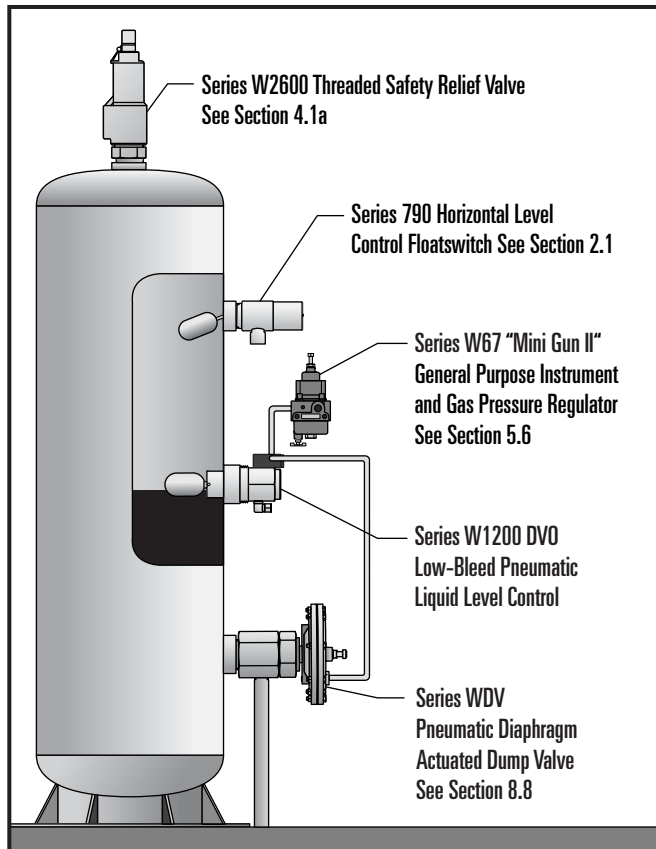
- 1 • 20-100-20
- 2 • 20-100-15
- 3 • 20-100-05
- 4 • 10-075-18
- 5 • 10-050-18

WDV Valve

Options

- LR** • Less Regulator
- RV1 • With 1" Relief Valve
- RV2 • With 2" Relief Valve

Notes: *For options, add code to end of Model Number.
**Regulator provided at no extra charge.



The WellMark Series SP Scrubber Package

The system provides for liquid control in gas scrubber applications by dumping liquids to drain and protecting compressors with a high liquid level switch. Wetted metal parts are made to survive constant use in corrosive environments.

Pneumatic Level Control

Float actuated level snap acting switch controls pneumatic pressure to open and close the dump valve.

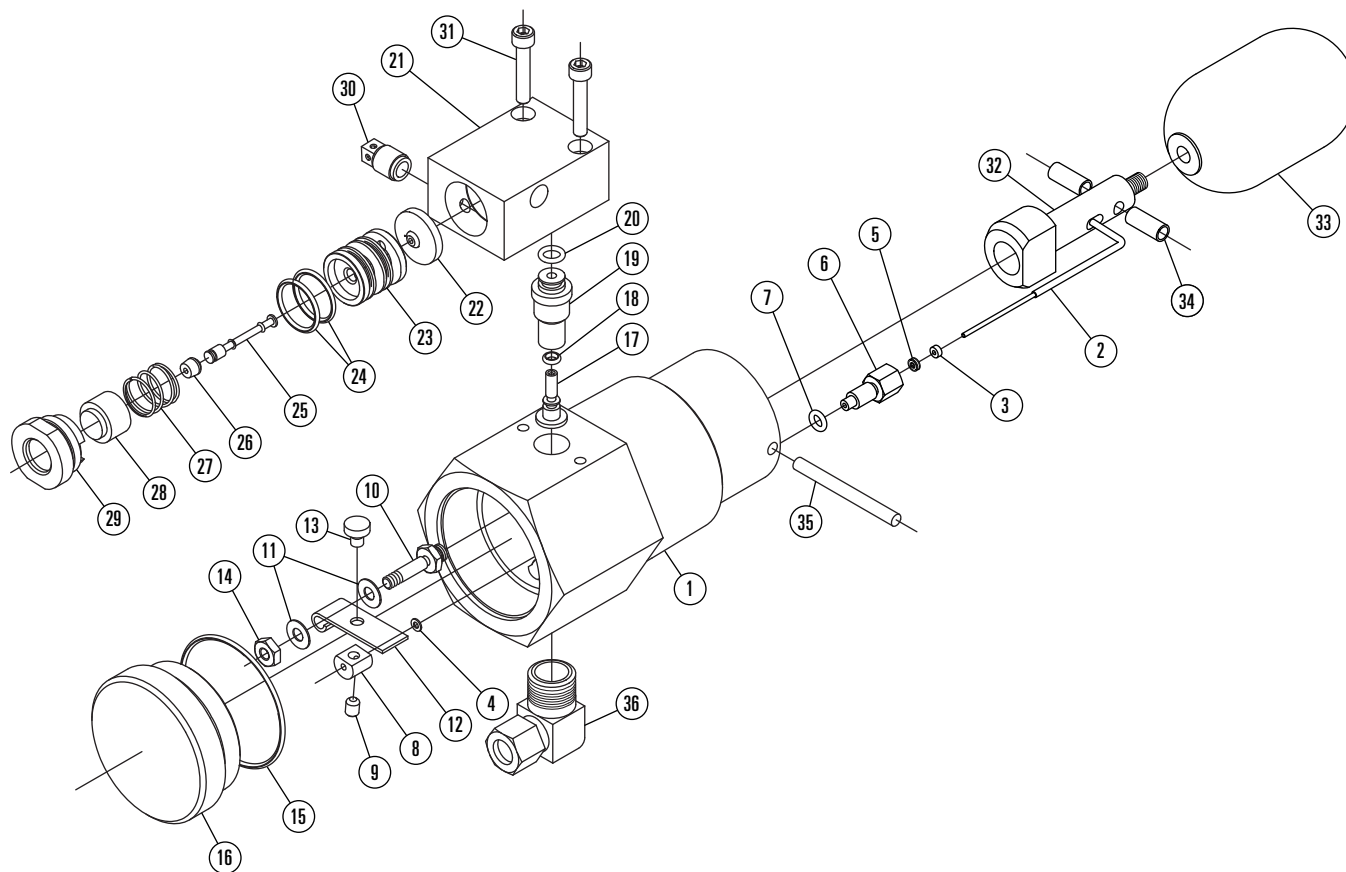
High Level Shutdown Switch

Stainless Steel float actuated level switches to alarm and/or shut-down the equipment. See Section 2 for more information.

Pneumatic Dump Valves

2-Piece union design with manual valve operator allows soft plug and hard seat to be replaced without disassembling outlet piping or scrubber pipe connection. Diaphragm actuated valves operate on 30 to 70 psi. See Section 8 for more information.

W1200 DVO Low-Bleed Pneumatic Liquid Level Control



Parts List

Item	Description	Qty.	Part No.
1	BODY, STEEL	1	31101
2	WIRE, STAINLESS STEEL	1	21546
3	SPACER	1	21547
4	WASHER, NYLON	1	10603
5	QUAD RING	1	11256
6	PORT, STAINLESS STEEL	1	21545
7	O-RING, NITRILE	1	10483
8	CAM, STAINLESS STEEL	1	21548
9	SET SCREW	1	10485
10	PORT, STAINLESS STEEL	1	20558
11	WASHER, NYLON	2	10602
12	ACTUATOR, STAINLESS STEEL	1	11249
13	SEAT, NITRILE	1	21513
14	NYLOC NUT, STAINLESS STEEL	1	05000-2567
15	O-RING, NITRILE	1	05000-0173
16	CAP, STAINLESS STEEL	1	20436
17	NOZZLE, STAINLESS STEEL	1	21521
18	O-RING, NITRILE	1	05000-0009
19	NOZZLE BODY, STAINLESS STEEL	1	21525

Item	Description	Qty.	Part No.
20	O-RING, NITRILE	1	05000-0033
21	PILOT HOUSING, ALUMINUM	1	21523
22	DIAPHRAGM, NITRILE	1	21527
23	SPOOL, ALUMINUM	1	21524
24	O-RING, NITRILE	2	05000-0058
25	STEM, STAINLESS STEEL	1	21522
26	PLUG, NITRILE	1	21526
27	SPRING, STAINLESS STEEL	1	11250
28	MANUAL BUTTON, DELRIN®	1	21520
29	PILOT CAP, ALUMINUM	1	21519
30	BREATHER, PLASTIC	1	05011-8729
31	SCREW, STAINLESS STEEL	2	05000-6153
32	COUNTER WEIGHT, STAINLESS STEEL	1	21550
33	FLOAT, STAINLESS STEEL	1	10575
34	SPACER, STAINLESS STEEL	2	20431
35	PIN, STAINLESS STEEL	1	20434
36	VENT ASSEMBLY, BRASS	1	20136
37	NAME PLATE, (NOT SHOWN)	1	11255