

## W7702 Back Pressure Regulator (BPR)

### Application

The WellMark Back Pressure Regulator is an excellent and economical device for automatic relief of pressure in liquid service. It is actuated by the static upstream pressure, which causes the valve to open at set pressures. The degree of opening will vary and increase in proportion to the increase in pressure over the opening pressure.

The WellMark Back Pressure Regulator is offered in a 2" size. The 2" is suitable for pressure settings up to 1500 psi.

Recommended for a variety of oil and gas production applications, including the following:

#### Paraffin:

A common cause of paraffin build-up is gas breaking out of solution in the tubing string. Through use of this regulator, constant pressure can be maintained on the oil column, permitting gas bubbles to be pumped out of the string before they rupture and break out of solution.

#### Heading up:

This regulator, installed on wells that tend to head up and flow, will assure a full tubing string by maintaining constant pressure on the oil column. This assures continuous lubrication of the polish rod, adding to the life of the stuffing box rubbers. This also enhances efficiency of the bottom hole pump.

#### By-Pass to Casing:

This regulator can also be used as a by-pass to the casing in event lead lines should freeze or get plugged.

#### Other Uses:

For LACT units to assure full-line operation and for safety relief on separators or casing.

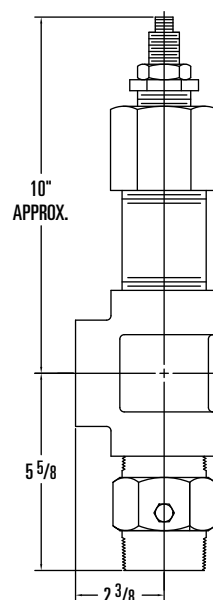
### Specifications

Process Connections .....	2" NPT
Operating Pressure .....	1500 psi Max.
Pressure Setting Adjustment .....	5-1500 psi
Operating Temperature .....	-20°F to 300°F

This unit features outside adjustment and is offered in a choice of four pressure ranges. Springs are either steel, stainless steel, or monel as indicated in the parts list. The standard Nipple, Reference No. 6 on the illustrated cutaway picture, is schedule 80, and the standard Tee, Reference No. 11, is forged steel.



### Dimensional Data

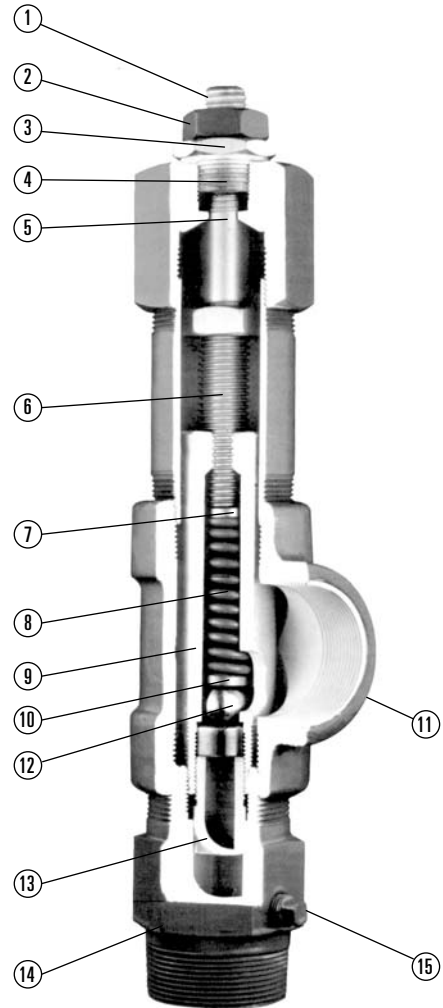


# W7702 Back Pressure Regulator (BPR)

## Parts List

Item	Description	Qty.	Part No.
1	ADJUSTMENT SCREW, STEEL	1	20121
2	LOCK NUT, STEEL	1	10141
3	PACKING GLAND, STEEL	1	20122
4*	PACKING (2), ROPE	1	20123
5	PACKING CAP, STEEL	1	30062
6	2 X 4 H.P. NIPPLE, STEEL	1	10143
7	SPRING KEEPER, STEEL	1	20124
8	SPRING (5-200), MONEL	1	10144
	SPRING (10-500), 302 S.S.	1	10145
	SPRING (10-900,10-1500), STEEL	1	10146
9	CAGE, STEEL	1	30063
10	SPRING KEEPER, STEEL	1	20124
11	2" TEE, STEEL	1	10148
12*	BALL & SEAT, STAINLESS	1	20125
	BALL & SEAT (10-1500), STAINLESS	1	20126
13	SEAT RETAINER, STEEL	1	20127
14	BODY, STEEL	1	30064
15	PLUG, STEEL	1	10149

\* Recommended Spare Part



## How To Order

Pressure Range	Model No.	Wt./Lbs.
5-200 PSI	W7702-2	15
10-500 PSI	W7702-5	15
10-900 PSI	W7702-9	15
10-1500 PSI	W7702-15	16

Steel tee and Schedule 80 nipple, Ref. Nos. 6 and 11, are standard on all models.

## Cage Assemblies Available (order by part no.)

Part No.	Pressure Range
20608	5-200 PSI
20743	10-500 PSI
20404	10-900 PSI
20421	10-1500 PSI

Consisting of Ref. No. 1,7,8,9,10, 12 & 13

## Typical Hook Ups

