

KB Ball Check Valve

Application

The KB Ball Check Valve is an in-line valve, which stops the flow from downstream when downstream pressure is higher than the upstream pressure—which could be detrimental to any upstream equipment. These valves are suitable for waterflood injection.

Features

- 5000 psi Working Pressure
- In-Line "Y" pattern Body: WCB or CF8M
- Metal to Metal Ball and Seat, Std. (Soft Seat Available)
- 1" and 2" Body Size: Threaded or Flanged



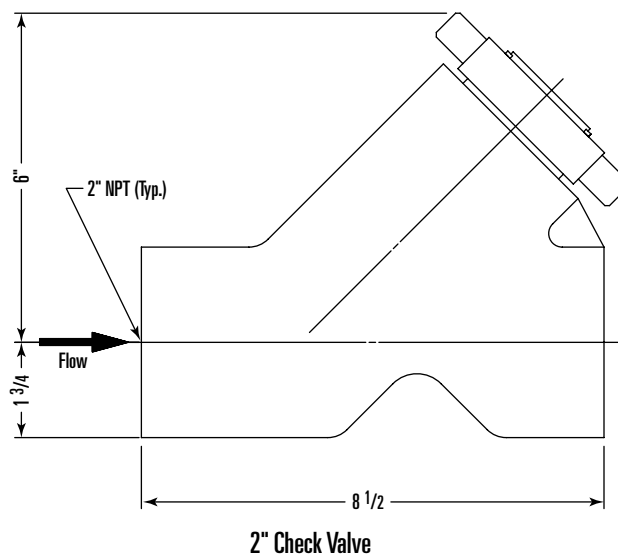
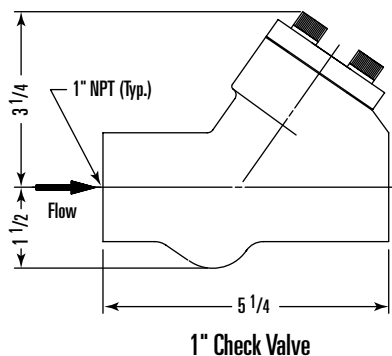
Specifications

Size 1" and 2" Threaded or Flanged
 Working Pressure 5000 psi
 Temperature 250°F to 400°F
 Crack Pressure Approx. 5 psi Std.

Materials

Body WCB-A216, CF8M
 Seat 17-4 PH S.S. or 17-4 Molded Viton®
 Ball 440 S.S. Std. (316 S.S. Available)
 Seals Buna-N Std. (Viton® Available)

Dimensional Data

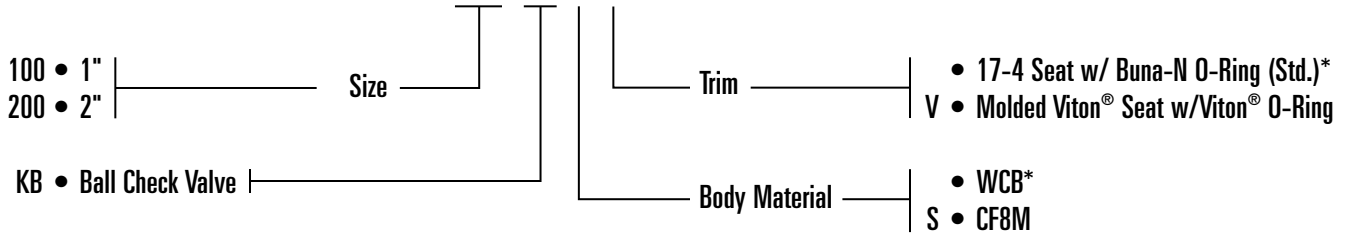


KB Ball Check Valve

Determining the Model Number

Example given: Standard 100-KBS-V – Series KB, 1" Stainless Steel, Viton® Seat, Ball Check Valve.

MODEL 100-KB S-V

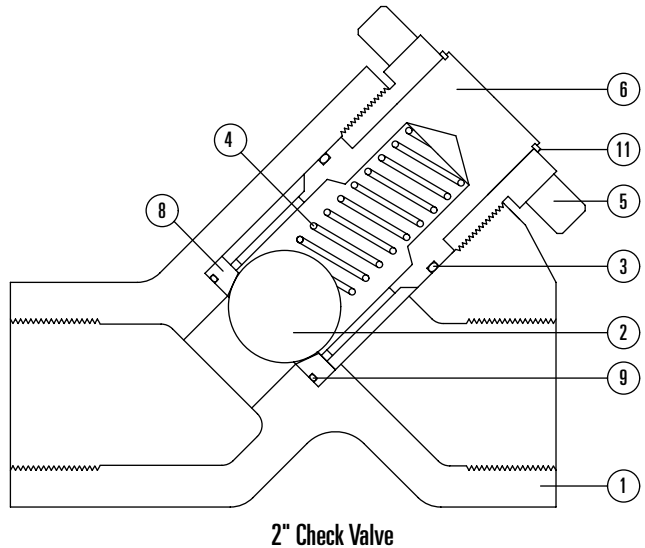
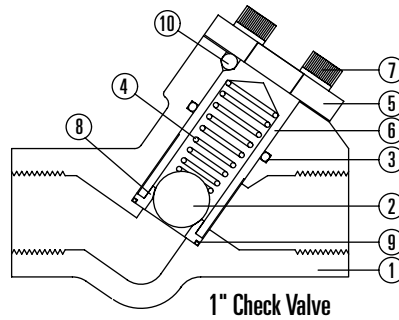


*Leave Blank When Selecting This Option.

Parts List

Item	Description	Qty.	Part No.	
			1"	2"
1	BODY, ASTM A-216 GR.WCB	1	05011-8140	05010-9701
	BODY, ASTM A-351 GR.CF8M	1	05011-8157	05010-9693
2*	BALL, 440 STAINLESS STL.	1	06000-0254	06000-0270
3*	O-RING, STD., BUNA-N	1	05000-0496	05000-0538
	O-RING, VITON®	1	05000-1205	05000-1247
4	SPRING, INCONEL/S.S.	1	05010-9560	05010-9735
5	TOP, ASTM A-108GR.1018	1	05010-2011	
6	HAMMER UNION, ASTM A-216 GR.WCB	1		06500-0341
	CAGE, STD., ASTM A-582 TY.303	1	05010-9438	05010-9727
7	CAGE, VITON® SEAT, ASTM A-582 TY.303	1	05010-9818	05010-9727
	SCREW, SOCKET, ASTM A-307 GR.B	4	05000-1866	
8*	SEAT, STD., 17-4PH	1	05010-9552	05010-9719
	SEAT, VITON®, 17-4 MOLD VITON®	1	05010-9800	05011-0162
9*	O-RING, STD., BUNA-N	1	05000-0108	05000-0330
	O-RING, VITON®	1	05000-0835	05000-1049
10	BALL, 440 STAINLESS STL.	1	06000-0262	
11	TRU-ARC RING, STEEL	1		06000-0288

*Recommended Spare Parts



Model and Part No.

Size	Model No.	W.P.	Body	Trim	Part No.
1"	100-KB	5000	WCB	STD. SEAT, BUNA-N O-RING	03000-0459
	100-KB-V	5000	WCB	VITON® SEAT, VITON® O-RING	03000-6431
	100-KBS	5000	CF8M	STD. SEAT, BUNA-N O-RING	03000-0467
	100-KBS-V	5000	CF8M	VITON® SEAT, VITON® O-RING	03000-3214
2"	200-KB	5000	WCB	STD. SEAT, BUNA-N O-RING	03000-0475
	200-KB-V	5000	WCB	VITON® SEAT, VITON® O-RING	03000-5318
	200-KBS	5000	CF8M	STD. SEAT, BUNA-N O-RING	03000-0483
	200-KBS-V	5000	CF8M	VITON® SEAT, VITON® O-RING	03000-4857