

Control the Feed Or Volume of Your Fuels With Confidence

Fuel Gas Control Valve or Low Pressure Motor Valve

Features

- Ductile Iron body and housing
- Minimum maintenance, easy access; all internal parts can be removed without taking valve out of line.
- Positive shut-off
- Optional seat, integral or removable
- Optional top-works, direct, indirect, adjustable single-acting or double-acting

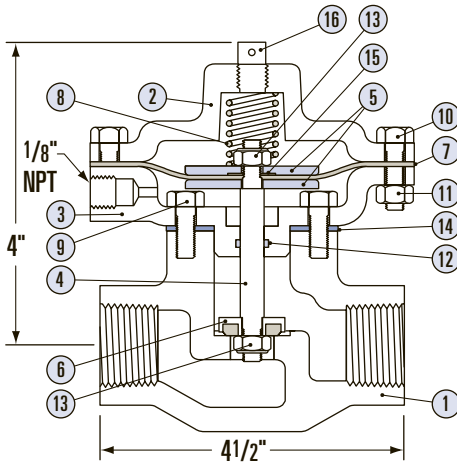
Application

Use as a fuel gas control valve to feed the pilot on heated separators, treaters and other similar liquid accumulators, as well as a low pressure, low volume dump valve on oil and gas production separators, compressors, or any type of liquid accumulator.

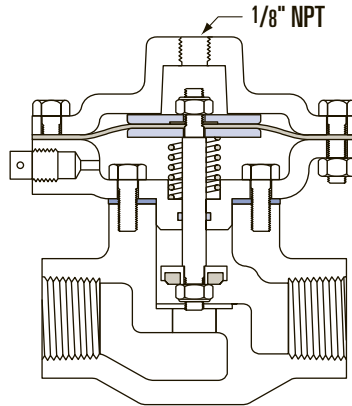
Specifications

| | |
|-------------------------|-----------------------------|
| Size | 1" NPT Threaded |
| Working Pressure | 300 psi |
| Temperature | 250-450° F |
| Seals | Buna N Std. |
| Diaphragm to Seat Ratio | From 18:1 to 7:1 |
| C _v | • Integral Seat 5 |
| | Removable 2.8 |
| Spring Adjustment | . . 5-80 psi back press. |

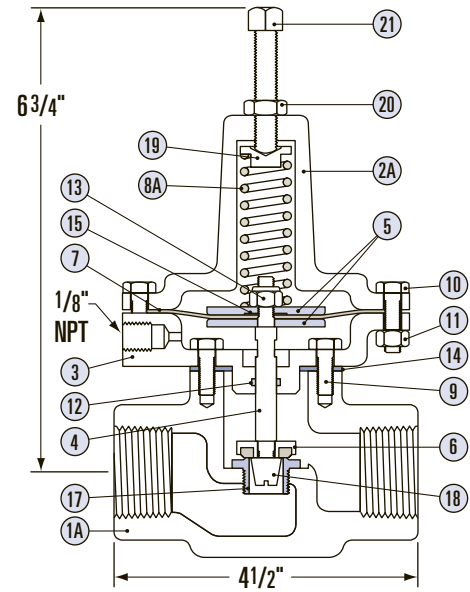




Direct Acting shown with Integral Seat



Reverse Acting shown with Integral Seat



Adjustable, Direct Acting shown with Removable Seat

Parts List

| Item | Description | Qty. | Part No. |
|------|-----------------------------------|------|------------|
| 1 | Body, Ductile Iron-Integral Seat | 1 | 05012-5442 |
| 1A | Body, Ductile Iron-Removable Seat | 1 | 05013-2987 |
| 2 | Upper Case, Ductile Iron | 1 | 05012-5434 |
| 2A | Upper Case, Ductile Iron | 1 | 05013-2979 |
| 3 | Lower Case, Ductile Iron | 1 | 05012-5426 |
| 4 | Stem, 303SS | 1 | 05011-1301 |
| 5 | Back Up Plate, Steel | 2 | 05012-5459 |
| 6* | Plug, 303SS/Buna N | 1 | 05011-1293 |
| 7* | Diaphragm, Buna N | 1 | 05012-5467 |
| 8 | Spring, Stainless Steel | 1 | 06000-4686 |
| 8A | Spring, Stainless Steel | 1 | 06000-8841 |
| 9 | Cap Screw, Steel Plated | 4 | 05000-1668 |
| 10 | Cap Screw, Steel Plated | 6 | 06000-8552 |

| Item | Description | Qty. | Part No. |
|------|-----------------------------|------|------------|
| 11 | Nut, Steel Plated | 6 | 05000-1619 |
| 12* | O-Ring, Buna N | 1 | 05000-0041 |
| 13 | Nyloc Nut, Steel Plated | 2 | 05000-1635 |
| 14* | Gasket, Urethane | 1 | 05012-6861 |
| 15* | Thread Seal, Steel/Buna N | 1 | 06000-0593 |
| 16 | Breather, Polyethylene | 1 | 05011-8728 |
| 17 | Seat, Brass | 1 | 05013-2995 |
| | Seat, 303SS | 1 | 05013-2997 |
| 18 | Throttle Nut, 303SS | 1 | 05013-3171 |
| 19 | Upper Guide, Steel | 1 | 05013-3252 |
| 20 | Jam Nut, Steel Plated | 1 | 10012 |
| 21 | Adjusting Nut, Steel Plated | 1 | 05000-5894 |
| 22 | Pipe Plug, Steel Plated | 1 | 10149 |

*Recommended spare parts. Major Repair Kit, Part No. 03500-1866

Minor Repair Kit, Part No. 03500-1874 (Less Plug)

Determining the Model Number

Use the Model Number below and specify the appropriate Design Code for "X"

- I • Integral-Direct
- IR • Integral-Reverse
- AS • Adjustable Spring
- RS • Removable Seat
- ASRS • Adjustable Spring w/Removable Seat

Model 100-DSG-X

Taking Liquid Level Management To A Higher Level

Contact your WellMark representative today for more information.



The **WellMark** Company

1903 S.E. 29th Street
Oklahoma City, OK 73129

P.O. Box 95459
Oklahoma City, OK 73143

Tel: (405) 672-6660

Fax: (405) 672-6661

Email: twc@wellmarkco.com

wellmarkco.com