

2001TF Two-Way Thermo-Flow (No-Freeze) Valve

Application

This valve is used for control of liquid, oil, or gas. Typical installations include compressor scrubbers, oil and gas separators, dehydrators, and various liquid accumulators. It is installed directly into the vessel so that the inner valve components may be warmed by the process fluid, which will prevent or inhibit freezing due to pressure differential or outside environment.

Features

- Quick Access – Simply unscrew hammer union and remove from body.
- 3 Orifice Sizes – 17-4 PH SS Standard: 1/4", 3/8", 1/2" (Carbide Available)
- Two sizes of topworks available to fit necessary application.
- Visual Indicator

Specifications

This Valve Classified as a 1" Valve

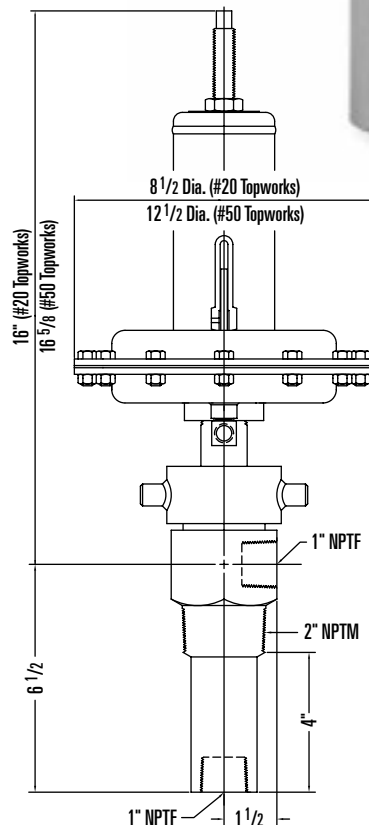
Size	2" NPT Vessel	1" NPT Inlet/Outlet
Max. Working Pressure	4000 psi	
Operating Temperature	-50°F to 250°F (others available)	
Size Topworks	#20 or #50	

Material

Body	Carbon Steel
Topworks	Pressed Steel
Diaphragm	Nylon Reinforced Buna-N (50 psi Pressure Maximum)
Stem	316 SS
Packing	Reinforced Nitrile "W" Standard (other materials available)
Trim	17-4 PH H-900 Std (Carbide Avail.)



Dimensional Data

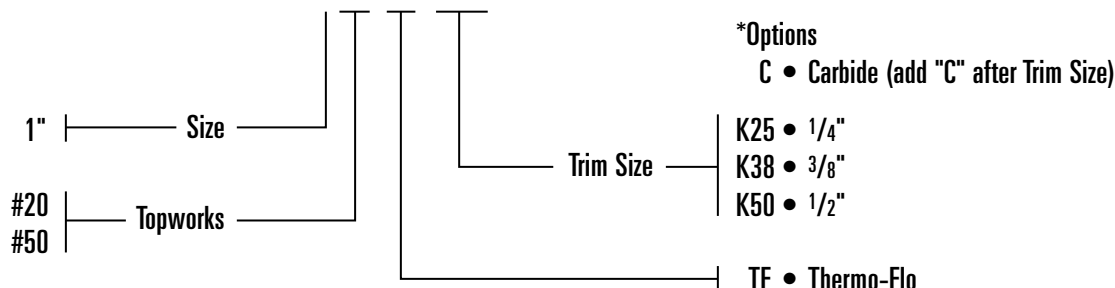


2001TF Two-Way Thermo-Flow (No-Freeze) Valve

Determining the Model Number

Example given: Standard Model 120 – TF – K25 , 1" Threaded, #20 Topwork, 1/4" Trim, Thermo-Flow Valve

MODEL 120-TF-K25*

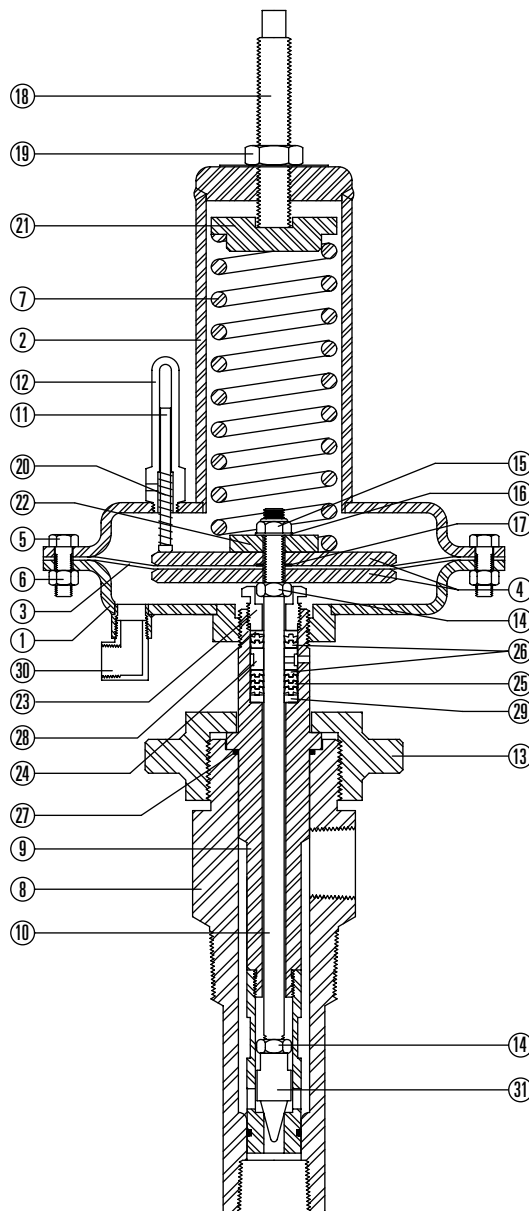


Parts List

Item	Description	Qty.	Part No.	
			#20 Topworks	#50 Topworks
1	LOWER CASE, ASTM A-569	1	06500-0010	06500-0192
2	UPPER CASE, ASTM A-569	1	06500-1042	06500-0051
3	DIAPHRAGM, NYLON REINF. NITRILE •	1	06000-0056	06000-0049
4	DIAPH. PLATE, ASTM A-569	2	05010-1922	05010-0411
5	CAP SCREW, STEEL PLATED	12	05000-1742	
	CAP SCREW, STEEL PLATED	16		05000-1841
6	HEX NUT, STEEL PLATED	12	05000-1726	
	HEX NUT, STEEL PLATED	16		05000-2104
7	SPRING, ASTM A-229	1	05010-7291	05010-5063
8	BODY, STEEL	1	05010-2771	
9	CAGE, STEEL	1	05010-6533	
10	STEM, ASTM A-276 TY.316	1	05010-6525	
11	PIN, INDICATOR, ABS PLASTIC	1	05010-5378	
12	GLASS, IND. POLYCARBONATE	1	06000-4074	
13	HAMMER UNION, STEEL	1	06500-0333	
14	HEX NUT, 18-8 S.S.	2	05000-1957	
15	NY-LOC NUT, STEEL PLATED	1	05000-3029	
16	LOCK WASHER, STEEL PLATED	1	06000-0403	
17	THREAD SEAL, BUNA-N •	1	06000-0395	
18	ADJ. SCREW, STEEL PLATED	1	05010-3407	
19	JAM NUT, STEEL PLATED	1	05000-2070	
20	SPRING, ASTM A-313	1	05010-2888	
21	UPPER GUIDE, STEEL	1	05010-2151	
22	LOWER GUIDE, STEEL	1	05010-2169	
23	PACKING ADJ., 303 S.S.	1	05010-2813	
24	LANTERN GLAND, DELRIN	1	05010-3324	
25	PACKING, REINF. NITRILE •	4	06000-0411	
26	FLAT PACKING, REINF. NITRILE •	2	06000-0767	
27	O-RING, BUNA-N •	1	05000-0272	
28	PACKING SPACER, DELRIN	1	05010-2805	
29	PACKING SPACER, DELRIN	1	05010-8091	
30	ELBOW, BRASS	1	06000-2052	
31*	TRIM SET, 1/4", 17-4PH, H-900 •	1	06500-3477	
	TRIM SET, 3/8", 17-4PH, H-900 •	1	06500-1653	
	TRIM SET, 1/2", 17-4PH, H-900 •	1	06500-3485	

• Recommended Spare Part

*Trim Set Includes Seat, Plug and O-ring



Model and Part No.

Model No.	W.P.	Orifice	C _v	Wt.	Part No.
120-TF-K25	4000	1/4"	1.5	30 lbs.	03010-0002
120-TF-K38		3/8"	3.3		03010-0010
120-TF-K50		1/2"	5.5		03010-0028
150-TF-K25	40 lbs.	1/4"	1.5	40 lbs.	03010-0036
150-TF-K38		3/8"	3.3		03010-0044
150-TF-K50		1/2"	5.5		03010-0051