

## 3030 Two-Way Valve, Low Pressure

### Application

This valve is ideally suited for on/off or modulating control of liquid, oil, or gas on low pressure applications for use on oil and gas production separators, heater treaters, compressors, or any type of liquid accumulator.

### Features

- Industry Standard
- Easy Access: All internal parts can be removed without taking valve out of line.
- Optional Seat: Integral or Removable
- Pressed Steel Topworks: #20, #50, Normally Closed, or Normally Open
- Visual Indicator

### Specifications

Size ..... 1" or 2" Globe, 2" Angle

Working Pressure ..... 500 psi

Temperature ..... -50°F to +250°F Standard  
(other materials available)

Size Topworks ..... #20 or #50

### Material

Body ..... Ductile Iron

Topworks ..... Press Steel

Diaphragm ..... Nylon Reinforced Buna-N  
(50 psi pressure max.)

Stem ..... 316 SS

Packing ..... Reinforced Nitrile "W" Standard  
(other materials available)

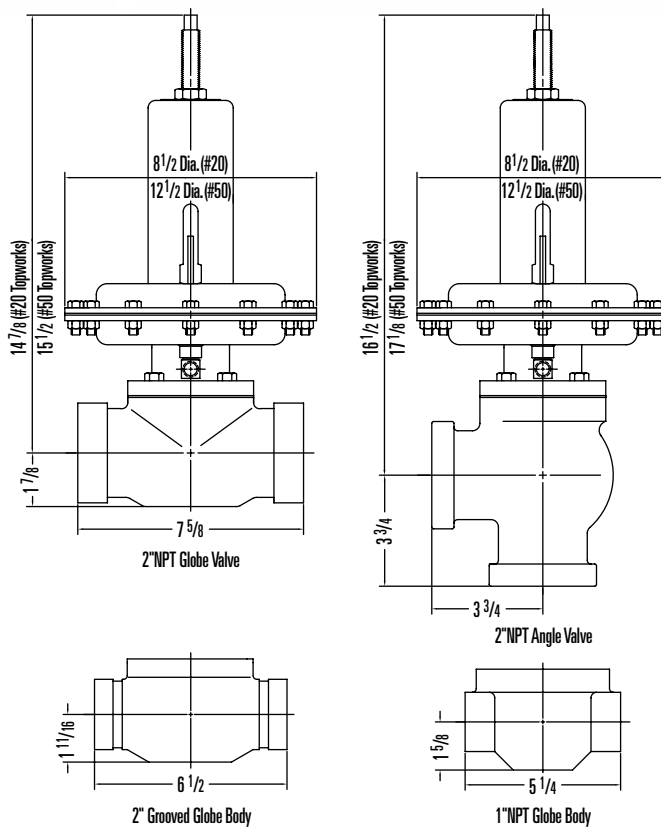
### Trim

Seat ..... Integral in Valve Body or SS Removable

Plug ..... 303 SS with Molded Nitrile or Fabricated Insert



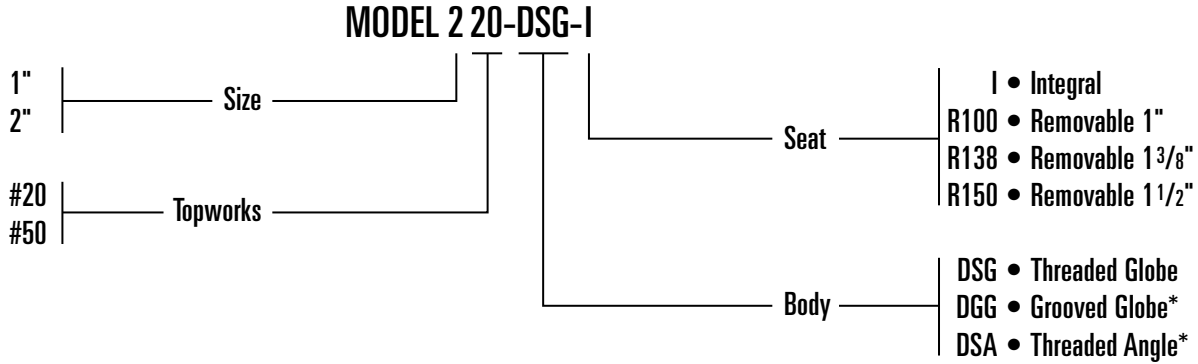
### Dimensional Data



# 3030 Two-Way Valve, Low Pressure

## Determining the Model Number

Example given: Standard Model 220-DSG-I, Series 3030, #20 Topworks, 2" Threaded Globe Body, Integral Seat, Two-Way Valve for Low Pressure.



## Parts List 3030 Series with Integral Seat

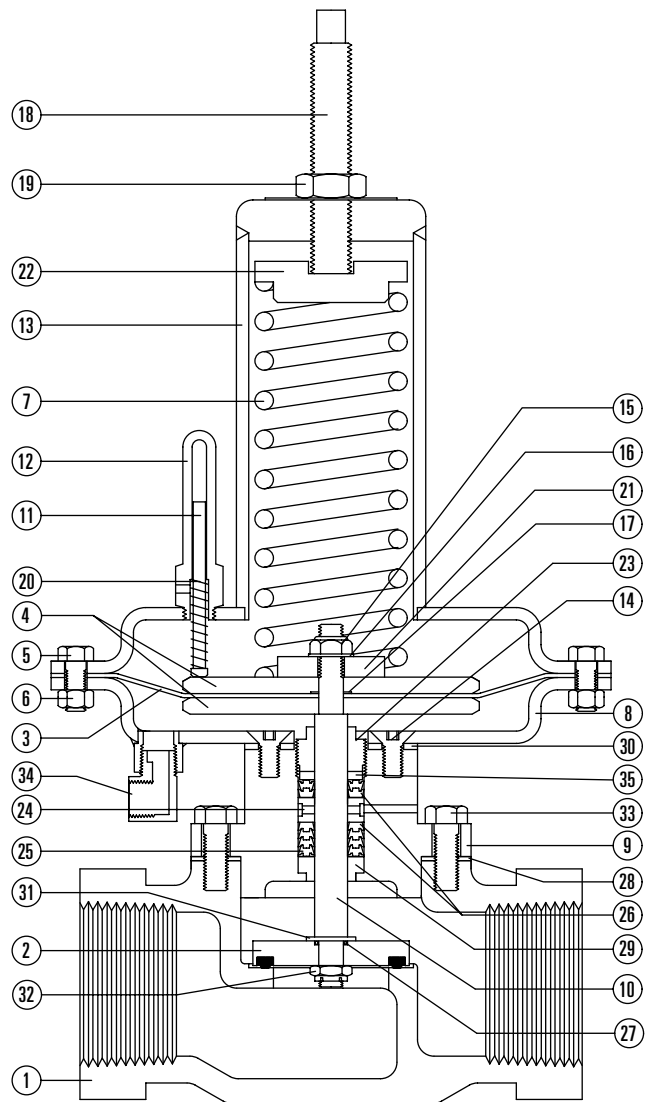
\*2" size only

Item	Description	Qty.	Part No.
1	BODY, 1" NPT, DUCTILE IRON	1	05010-8877
	BODY, 2" NPT, DUCTILE IRON	1	05010-1336
	BODY, 2" GROOVED, DUCTILE IRON	1	05010-4678
2*	PLUG, 1" VALVE, 303SS MOLDED BUNA-N	1	05010-1251
	PLUG, 2" VALVE, 303SS MOLDED BUNA-N	1	05010-4561
3*	DIAPHRAGM, NYLON REINF. NITRILE	1	06000-0056
4	DIAPH. PLATE, ASTM A-569	2	05010-1922
5	CAP SCREW, STEEL PLATED	12	05000-1742
6	HEX NUT, STEEL PLATED	12	05000-1726
7	SPRING, ASTM A-401	1	05010-7291
8	LOWER CASE, ASTM A-569	1	06500-0572
9	DIA. SUPPORT, ASTM A-108GR.1018	1	05010-4223
10	STEM, ASTM A-276 TY.316	1	05010-4587
11	INDICATOR PIN, ABS PLASTIC	1	05010-5378
12	INDICATOR GLASS, POLYCARBONATE	1	06000-4074
13	UPPER CASE, ASTM A-569	1	06500-1042
14	FLAT HD.SCREW, STAINLESS STEEL	4	05000-1759
15	NY-LOC NUT, ASTM A-307 GR.B	1	05000-2997
16	LOCK WASHER, STEEL	1	06000-0403
17*	THREAD SEAL, STEEL/BUNA-N	1	06000-0395
18	ADJ. SCREW, ASTM A-307 GR.B	1	05010-2177
19	JAM NUT, ASTM A-307 GR.B	1	05000-2070
20	INDICATOR SPRING, ASTM A-313	1	05010-2888
21	LOWER GUIDE, STEEL	1	05010-2169
22	UPPER GUIDE, STEEL	1	05010-2151
23	PACKING ADJ., ASTM B-16	1	05010-3639
24	LANTERN GLAND, DELRIN	1	05010-3571
25*	PACKING, COTTON REIN.NITRILE	4	06000-0387
26*	FLAT PACKING, REINF. NITRILE	2	06000-0528
27*	O-RING, BUNA-N	1	05000-0066
28*	GASKET, MOLDED BUNA-N	1	05011-0816
29	STEM GUIDE, DELRIN	1	05010-4231
30*	GASKET, MOLDED BUNA-N	1	05010-3662
31	WASHER, 304 STAINLESS STL	1	05010-4116
32	FLEX-LOC NUT, STAINLESS STEEL	1	05000-1817
33	CAP SCREW, STEEL PLATED	4	05000-1841
34	STREET "L", BRASS	1	06000-2052
35	SPACER, DELRIN	1	05010-8646

\*Recommended Spare Part

## Model and Part No.

Size	Model No.	W.P.	Orifice	Cv	Wt.	Part No.
1"	120-DSG-I	500	1.00	11.0	30	03000-1317
	220-DSG-I		1.75	30.0	32	03000-0269
2"	220-DGG-I		1.75	20.0	30	03000-0277

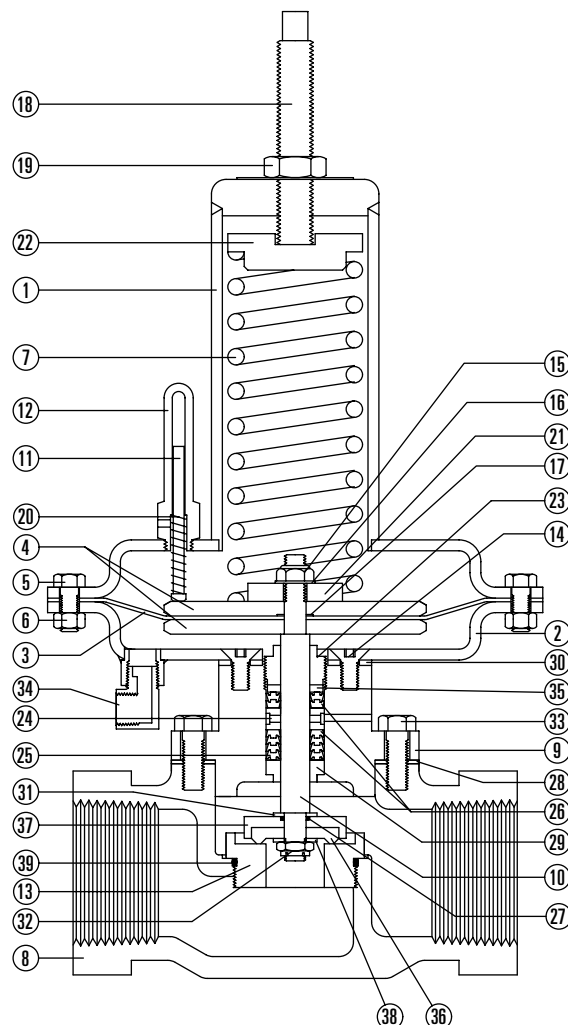


## 3030 Two-Way Valve, Low Pressure

### Parts List 3030 Series with Removable Seat

Item	Description	Qty.	Part No.	
			#20 Topworks	#50 Topworks
1	UPPER CASE, STEEL	1	06500-1042	06500-0051
2	LOWER CASE, STEEL	1	06500-0572	06500-0309
3*	DIAPHRAGM, NYLON REINF. NITRILE	1	06000-0056	06000-0049
4	DIAPH. PLATE, ASTM A-569	2	05010-1922	05010-0411
5	CAP SCREW, STEEL PLATED	12	05000-1742	
	CAP SCREW, STEEL PLATED	16		05000-1841
6	HEX NUT, STEEL PLATED	12	05000-1726	
	HEX NUT, STEEL PLATED	16		05000-2104
7	SPRING, ASTM A-401	1	05010-7291	05010-5063
8	BODY, 2" NPT, DUCTILE IRON	1	05011-2697	
9	DIA. SUPPORT, ASTM A-108GR.1018	1	05010-4223	
10	STEM, ASTM A-276 TY.316	1	05010-4587	
11	INDICATOR PIN, ABS PLASTIC	1	05010-5378	
12	INDICATOR GLASS, POLYCARBONATE	1	06000-4074	
13	SEAT, 1" ORIFICE, 303SS	1	05010-9982	
	SEAT, 1 3/8" ORIFICE, 303SS	1	05011-1657	
14	FLAT HD. SCREW, STAINLESS STEEL	4	05000-1759	
15	NY-LOC NUT, ASTM A-307 GR.B	1	05000-2997	
16	LOCK WASHER, STEEL	1	06000-0403	
17*	THREAD SEAL, STEEL/BUNA-N	1	06000-0395	
18	ADJ. SCREW, ASTM A-307 GR.B	1	05010-2177	
19	JAM NUT, ASTM A-307 GR.B	1	05000-2070	
20	INDICATOR SPRING, ASTM A-313	1	05010-2888	
21	LOWER GUIDE, STEEL	1	05010-2169	
22	UPPER GUIDE, STEEL	1	05010-2151	
23	PACKING ADJ., ASTM B-16	1	05010-3639	
24	LANTERN GLAND, DELRIN	1	05010-3571	
25*	PACKING, COTTON REIN. NITRILE	4	06000-0387	
26*	FLAT PACKING, REINF. NITRILE	2	06000-0528	
27*	O-RING, BUNA-N	1	05000-0066	
28*	GASKET, MOLDED BUNA-N	1	05011-0816	
29	STEM GUIDE, DELRIN	1	05010-4231	
30*	GASKET, MOLDED BUNA-N	1	05010-3662	
31	WASHER, 304 STAINLESS STL.	1	05010-4116	
32	FLEX-LOC NUT, STAINLESS STEEL	1	05000-1817	
33	CAP SCREW, STEEL PLATED	4	05000-1841	
34	STREET "L", BRASS	1	06000-2052	
35	SPACER, DELRIN	1	05010-8646	
36*	INSERT 1", GLASS FILLED TEFLON®	1	05011-0220	
	INSERT 1 3/8", GLASS FILLED TEFLON®	1	05011-1228	
37	PLUG 1", 303 STAINLESS STEEL	1	05011-0212	
	PLUG 1 3/8, 303 STAINLESS STEEL	1	05011-2648	
38	WASHER 1", 304 STAINLESS STEEL	1	05010-4116	
	WASHER 1 3/8, 303 STAINLESS STEEL	1	05011-1236	
39*	O-RING, BUNA-N	1	05000-0322	

\*Recommended Spare Part



### Model and Part No.

Size	Model No.	W.P.	Orifice	Cv	Wt.	Part No.
2"	220-DSG-R100	500	1.000	20	33	03015-0015
	220-DSG-R138		1.375	25	33	03015-0056
	250-DSG-R100		1.000	20	48	03015-0072
	250-DSG-R138		1.375	25	48	03015-0114

## 3030 Two-Way Valve, Low Pressure

### Parts List 3030 Series with Removable Seat

Item	Description	Qty.	Part No.
1	UPPER CASE, STEEL	1	06500-1042
2	LOWER CASE, STEEL	1	06500-0572
3*	DIAPHRAGM, NYLON REIN. NITRILE	1	06000-0056
4	DIAPH. PLATE, ASTM A-569	2	05010-1922
5	CAP SCREW, STEEL PLATED	12	05000-1742
6	HEX NUT, STEEL PLATED	12	05000-1726
7	SPRING, ASTM A-401	1	05010-7291
8	BODY, 2" NPT, DUCTILE IRON	1	05010-2938
9	DIA. SUPPORT, DUCTILE IRON	1	05010-5014
10	STEM, ASTM A-276 TY.316	1	05010-5048
11	INDICATOR PIN, ABS PLASTIC	1	05010-5378
12	INDICATOR GLASS, POLYCARBONATE	1	06000-4074
13	SEAT, 1" ORIFICE, 303SS	1	05010-9982
	SEAT, 1 1/2" ORIFICE, 303SS	1	05011-0089
14	FLAT HD. SCREW, STAINLESS STEEL	4	05000-1759
15	NY-LOC NUT, ASTM A-307 GR.B	1	05000-2997
16	LOCK WASHER, STEEL	1	06000-0403
17*	THREAD SEAL, STEEL/BUNA-N	1	06000-0395
18	ADJ. SCREW, ASTM A-307 GR.B	1	05010-2177
19	JAM NUT, ASTM A-307 GR.B	1	05000-2070
20	INDICATOR SPRING, ASTM A-313	1	05010-2888
21	LOWER GUIDE, STEEL	1	05010-2169
22	UPPER GUIDE, STEEL	1	05010-2151
23	PACKING ADJ., ASTM B-16	1	05010-3639
24	LANTERN GLAND, DELRIN	1	05010-3571
25*	PACKING, COTTON REIN. NITRILE	5	06000-0387
26*	FLAT PACKING, REINF. NITRILE	2	06000-0528
27*	O-RING, BUNA-N	1	05000-0066
28*	GASKET, MOLDED BUNA-N	1	05011-0816
29	BEARING, BRONZE	1	06000-0015
30*	GASKET, MOLDED BUNA-N	1	05010-3662
31	WASHER, 304 STAINLESS STL.	1	05010-4116
32	FLEX-LOC NUT, STAINLESS STEEL	1	05000-1817
33	CAP SCREW, STEEL PLATED	4	05000-1841
34	STREET "L", BRASS	1	06000-2052
35*	O-RING, BUNA-N	1	05000-0322
36*	INSERT 1", GLASS FILLED TEFLON®	1	05011-0220
	INSERT 1 1/2", GLASS FILLED TEFLON®	1	05011-2606
37	PLUG 1", 303 STAINLESS STEEL	1	05011-0212
	PLUG 1 1/2, 303 STAINLESS STEEL	1	05011-0717
38	WASHER 1", 304 STAINLESS STEEL	1	05010-4116
	WASHER 1 1/2, 303 STAINLESS STEEL	1	05011-0733

\*Recommended Spare Part

### Model and Part No.

Size	Model No.	W.P.	Orifice	C <sub>v</sub>	Wt.	Part No.
2"	220-DSA-R100	500	1.000	20.0	38	03000-1424
	220-DSA-R150		1.500	30.0	38	03000-1416

